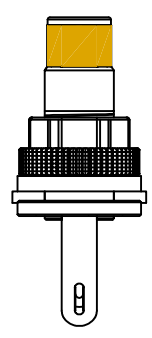
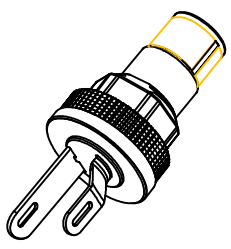
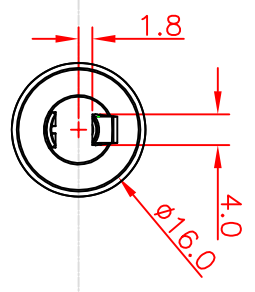
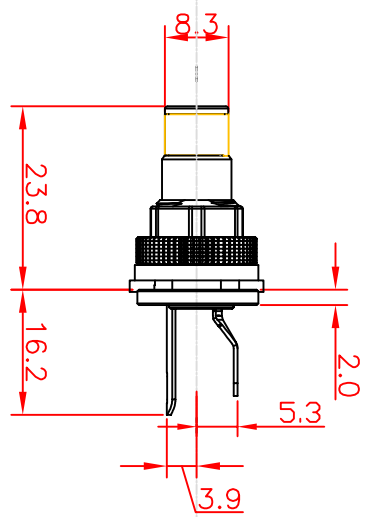
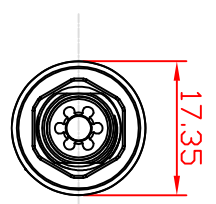
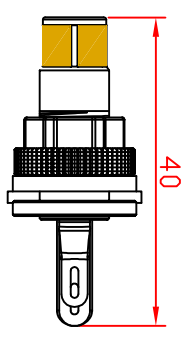


DATE	DRAWING	COMPANY	TITLE	SCALE	DRAWING'S NO.
Jan. 2012	HAYASHI	FURUTECH CO., LTD.	FT-903 Outside Size	1 : 1	FT-903-01



Suggestion
Panel Drilling Size in mm

