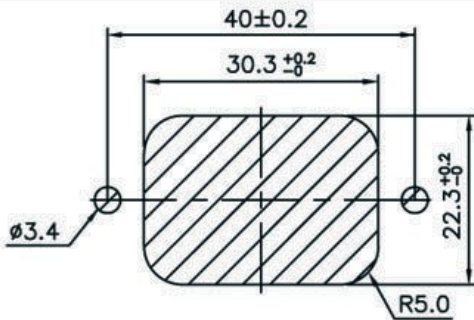
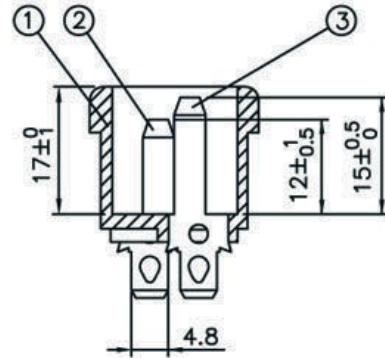
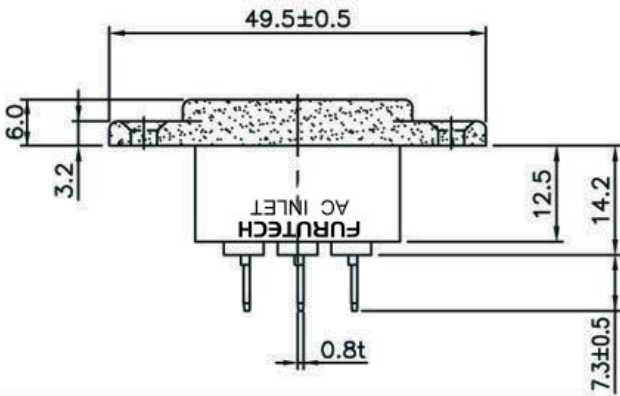
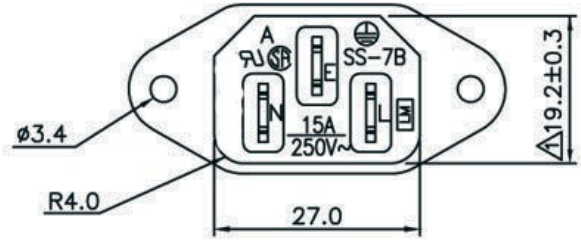
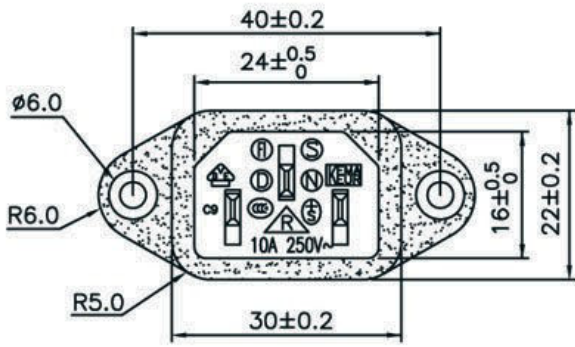
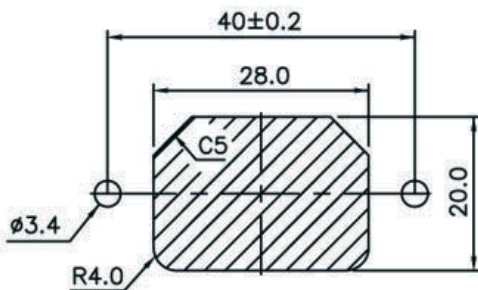


New AC Inlet Size & Panel Cut-Out Size



Mounting inlet flange at back of cover.

Rating: 15A 250V AC
 Approvals:UL/CSA
 Rating: 10A 250V AC
 Approvals:VDE/DEMKO/NEMKO
 SEV/SEMKO/FIMKO
 KEMA/CCC



Mounting inlet flange in front of cover.