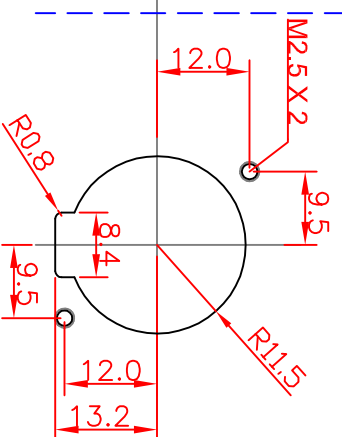
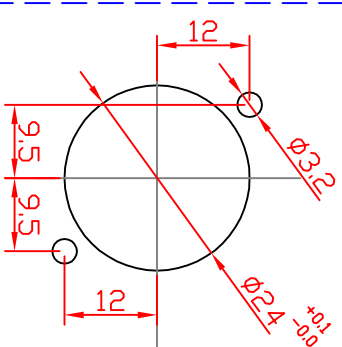


Panel Cut-out Size (Front side)

For Rear Mounting use For Front Mounting use



Non mark Tolerance: +/- 0.1mm

Tolerance: +/- 0.1mm

DATE	DRAWING	COMPANY	TITLE	SCALE	DRAWING'S NO.
Jan. 2012	HAYASHI	FURUTECH CO., LTD.	FT-785M Outside Size	1 : 1	FT-785M-01