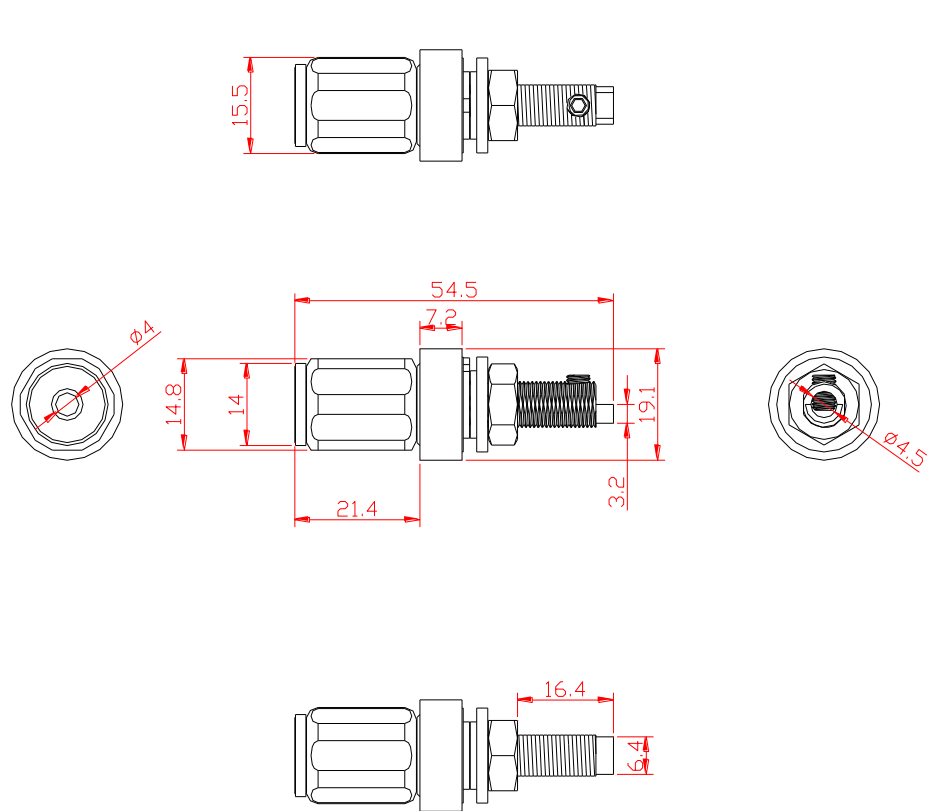
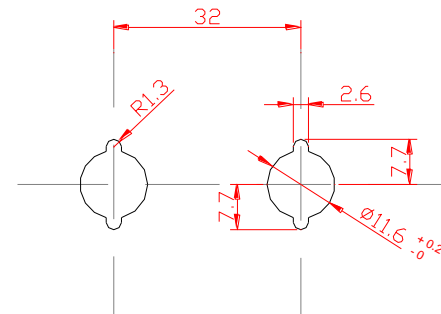
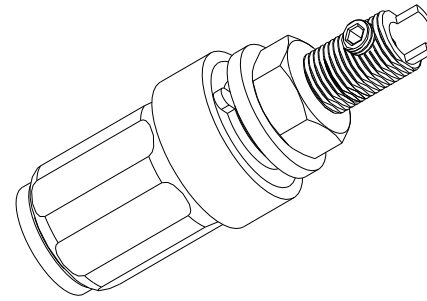


FP-803 Outer size



Unit : mm



Suggestion Panel Drilling Size